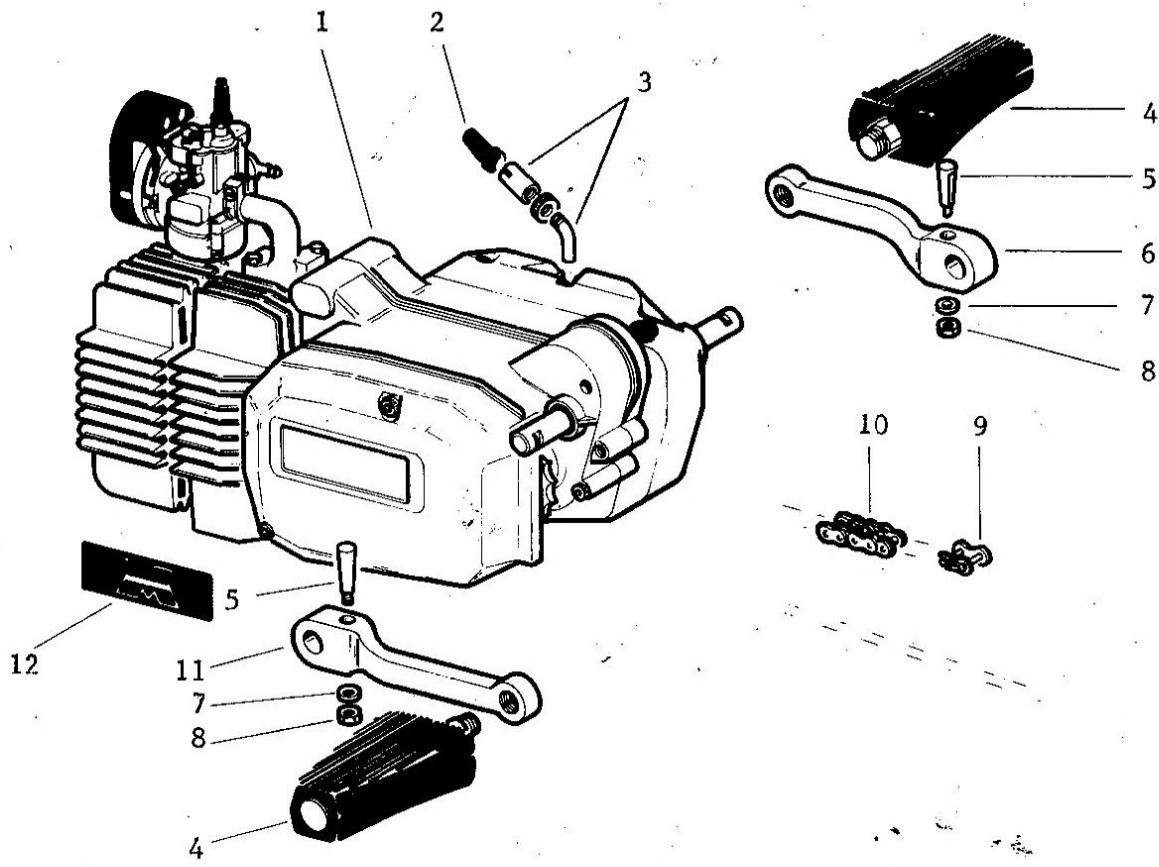


INDEX	PART NUMBER	QTY ASSY.	DESCRIPTION
22	Z101076	1	Pinion Gear Shaft
23	Z127002	2	Gear Key
24	Z126002	1	Bearing
25	Z106008	1	Oil Seal
26	Z232506	1	Pinion Gear (12 Tooth)
27	Z131002	1	Nut
28	J43	2	Pedal Pin Complete
29	J50	1	L.H. Pedal Arm
30	Z254007	3	Spacer
31	Z105005	1	Circlip
32	Z127016	1	Starting Chain
33	Z232543	1	Drive Gear (17 Tooth)
34	Z206001	1	Coupling Claw
35	Z101035	1	Pedal Shaft

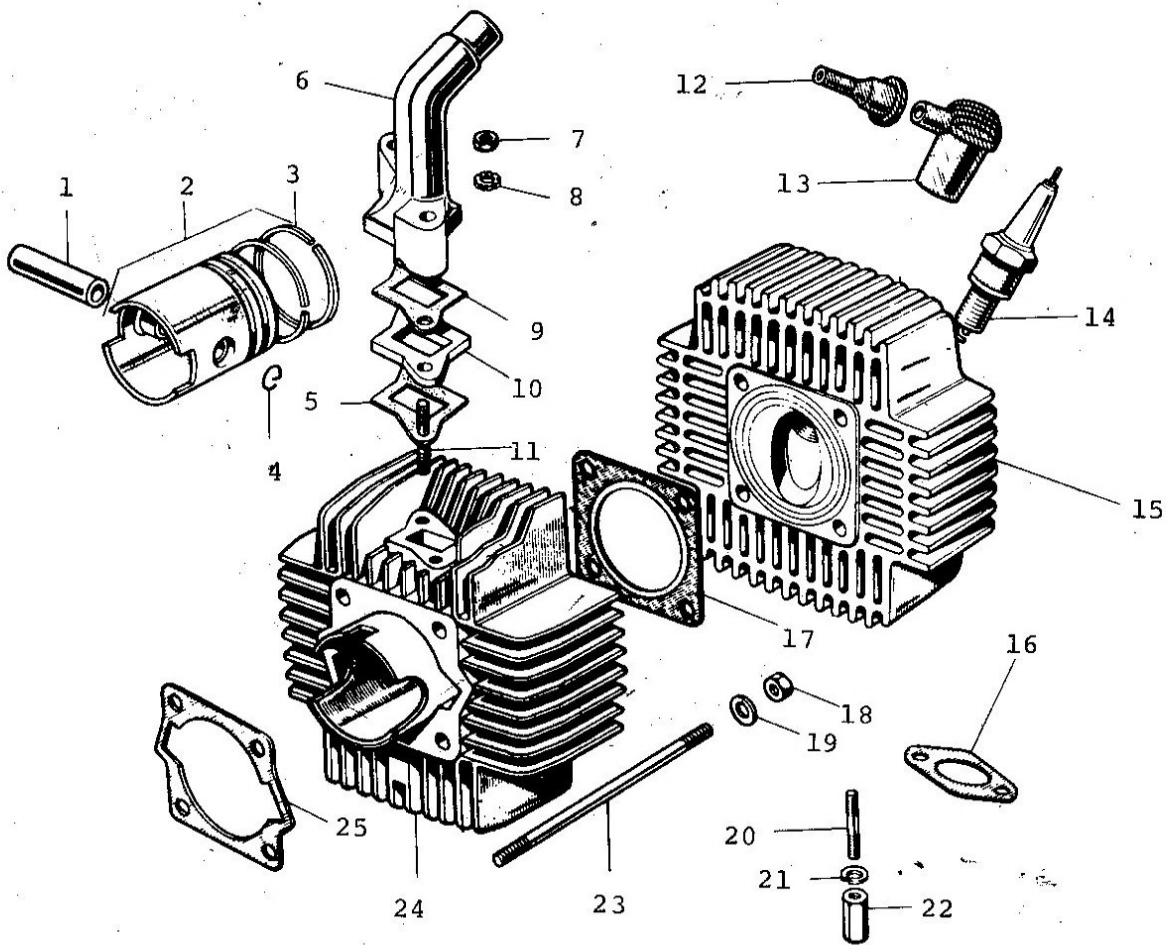
Transmission
MO2 - Cont'd.
Fig. 11

PC (Sebring) 19



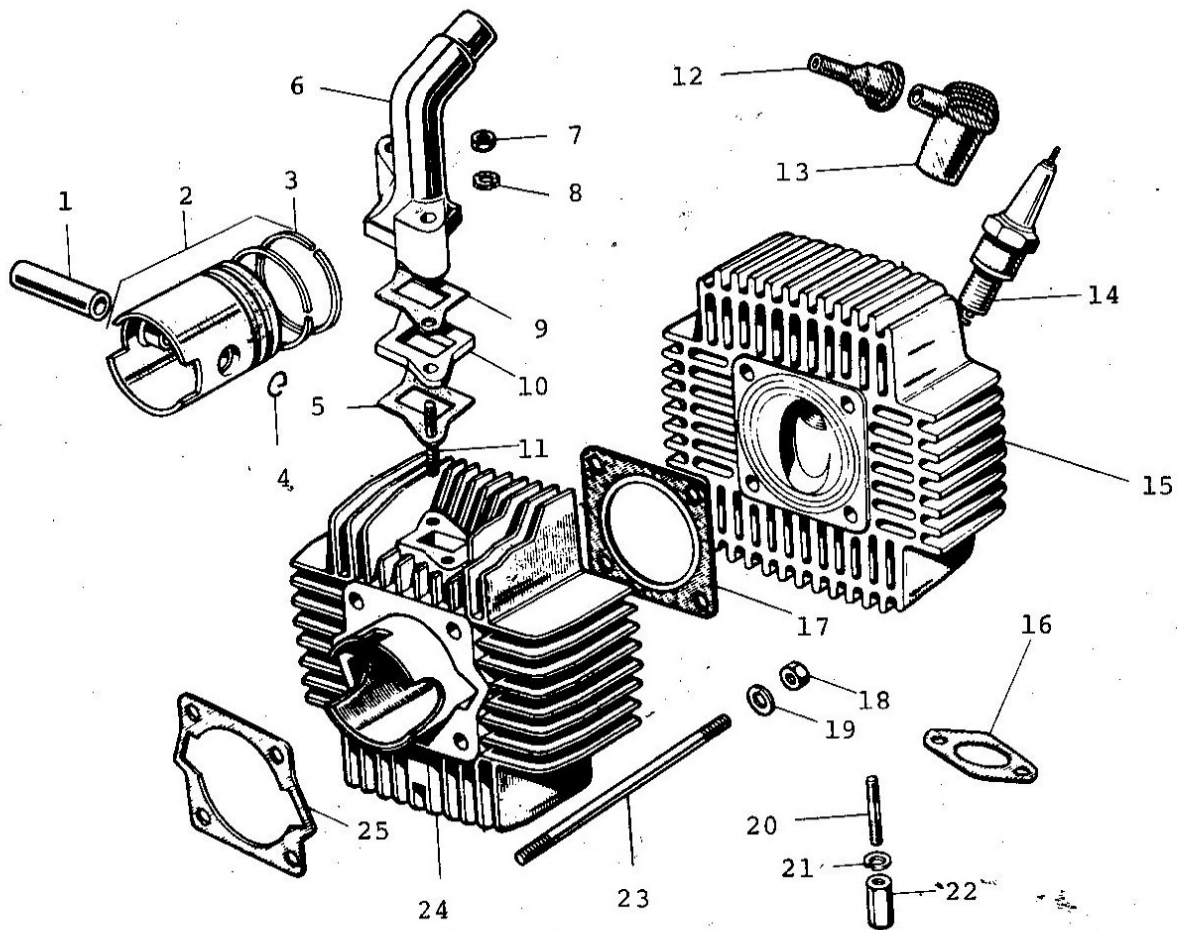
INDEX	PART NUMBER	QTY ASSY.	DESCRIPTION
1	Z1329	1	Engine Complete ("M0" Single Speed 20MPH)
1	Z2114	1	Engine Complete ("M02" Two Speed 25 & 30MPH)
2	J38	1	Rubber Boot
3	J260	1	Cable Adjuster Complete
4	20056	1	Pedal Pair
5	J43	2	Pedal Pin Complete
6	J44	1	R.H. Pedal Arm
7	00057	1	Washer
8	00010	1	Nut
9	17695	1	Master Link
10	20766	1	Drive Chain
11	J50	1	L.H. Pedal Arm
12	J51	2	Engine Monogram

Engine and
Attachments
Fig. 1



INDEX	PART NUMBER	QTY ASSY.	DESCRIPTION
1	Z268001	1	Piston Pin
2	Z230125	1	Piston Complete (Standard)
2	Z230126	1	Piston Complete (Oversized)
3	Z261045	2	Piston Ring (Standard)
3	Z261046	2	Piston Ring (Oversized)
4	Z104001	2	Piston Pin Clip
5	Z164035	1	Inlet Pipe "Bottom" Gasket
6	Z251014	1	Inlet Pipe (MO - Single Speed)
6	Z251052	1	Inlet Pipe (MO2 - Two Speed)
7	Z131004	2	Nut
8	Z254012	2	Washer
9	Z164036	1	Inlet Pipe "Top" Gasket
10	Z136004	1	Inlet Pipe Spacer
11	Z235003	1	Inlet Pipe Stud
12	Z163004	1	Wire Boot
13	54250	1	Radio Suppressor
14	300027	1	Spark Plug (Champion N9Y)
14	300022	1	Spark Plug (Bosch W7D)
15	Z275019	1	Cylinder Head
16	Z164093	1	Exhaust Gasket
17	Z164032	1	Cylinder Head Gasket

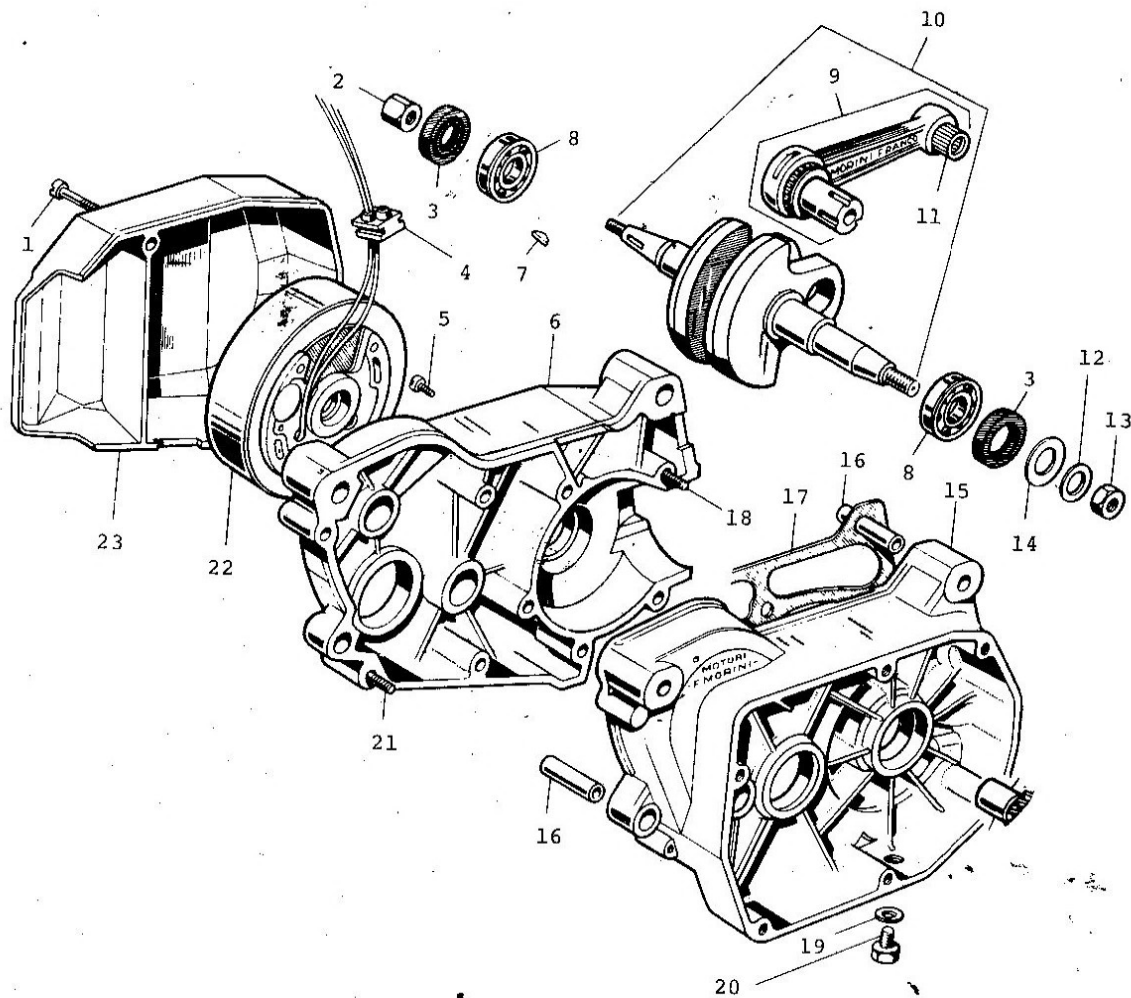
Cylinder, Cylinder Head,
Inlet Pipe - MO - MO2
Fig. 2



INDEX	PART NUMBER	QTY ASSY.	DESCRIPTION
18	Z131001	4	Nut
19	Z254001	4	Washer
20	Z235014	2	Exhaust Stud
21	Z254013	2	Washer
22	Z133023	2	Nut
23	Z235001	4	Cylinder Stud
24	Z122038	1	Cylinder
25	Z164030	1	Cylinder Base Basket

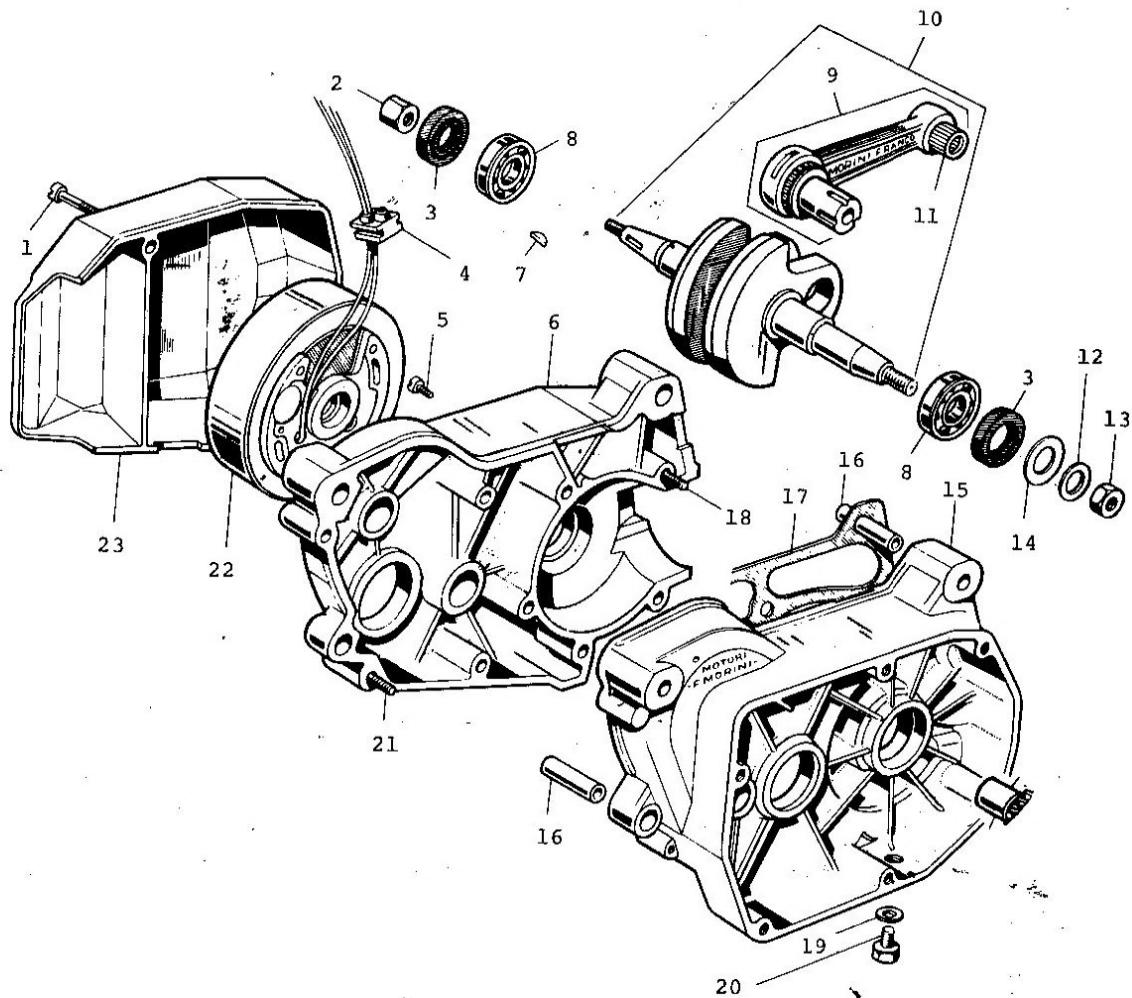
Cylinder, Cylinder Head,
Inlet Pipe - MO - MO2 (Cont'd.)
Fig. 2

PC (Sebring) 3



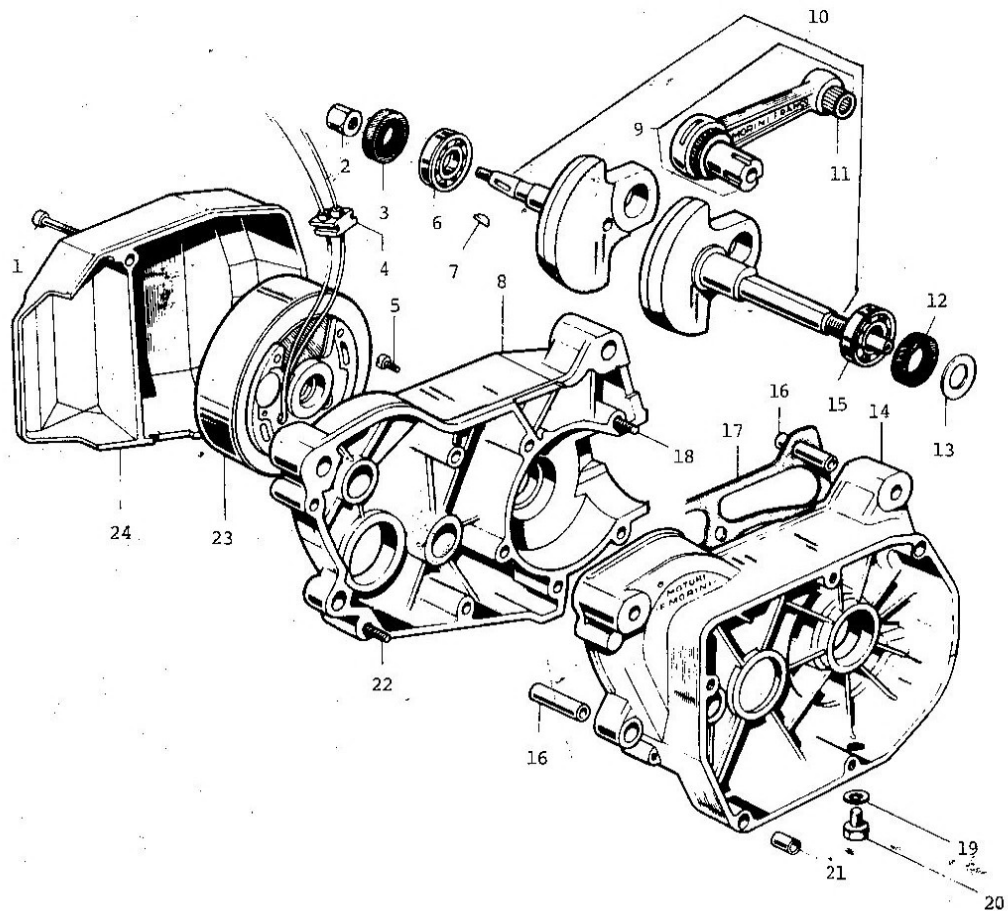
INDEX	PART NUMBER	QTY ASSY.	DESCRIPTION
1	Z291990	5	Allen Bolt
2	Z133007	1	Flywheel Nut
3	Z106001	2	Oil Seal
4	Z163011	1	Wire Guide
5	Z296022	2	Stator Plate Screw
6	Z265017	1	Left Crankcase Half
7	Z127025	1	Flywheel Key
8	Z126001	2	Crankshaft Support Bearing
9	Z110015	1	Connecting Rod
10	Z100045	1	Crankshaft Complete
11	Z161005	1	Piston Pin Bearing
12	Z254018	1	Washer
13	Z131003	1	Clutch Nut
14	Z254005	1	Spacer
15	Z265016	1	Right Crankcase Half
16	Z167005	2	Crankcase Dowel
17	Z164033	1	Crankcase Gasket
18	Z291989	8	Crankcase Bolt
19	Z164008	1	Drain Plug Gasket
20	Z294132	1	Drain Bolt
21	Z291988	1	Crankcase Bolt

Crankcase, Crankshaft
("MO" One Speed Engine)
Fig. 3



INDEX	PART NUMBER	QTY ASSY.	DESCRIPTION
22	Z290045	1	Magneto Complete (Dans l.)
23	Z124074	1	Left Engine Cover
	Z260606	1	Engine Gasket Set (Not Illustrated)
	Z260505	1	Engine Oil Seal Set (Not Illustrated)

Crankcase, Crankshaft
 ("MO" One Speed Engine - Cont'd.)
 Fig. 3

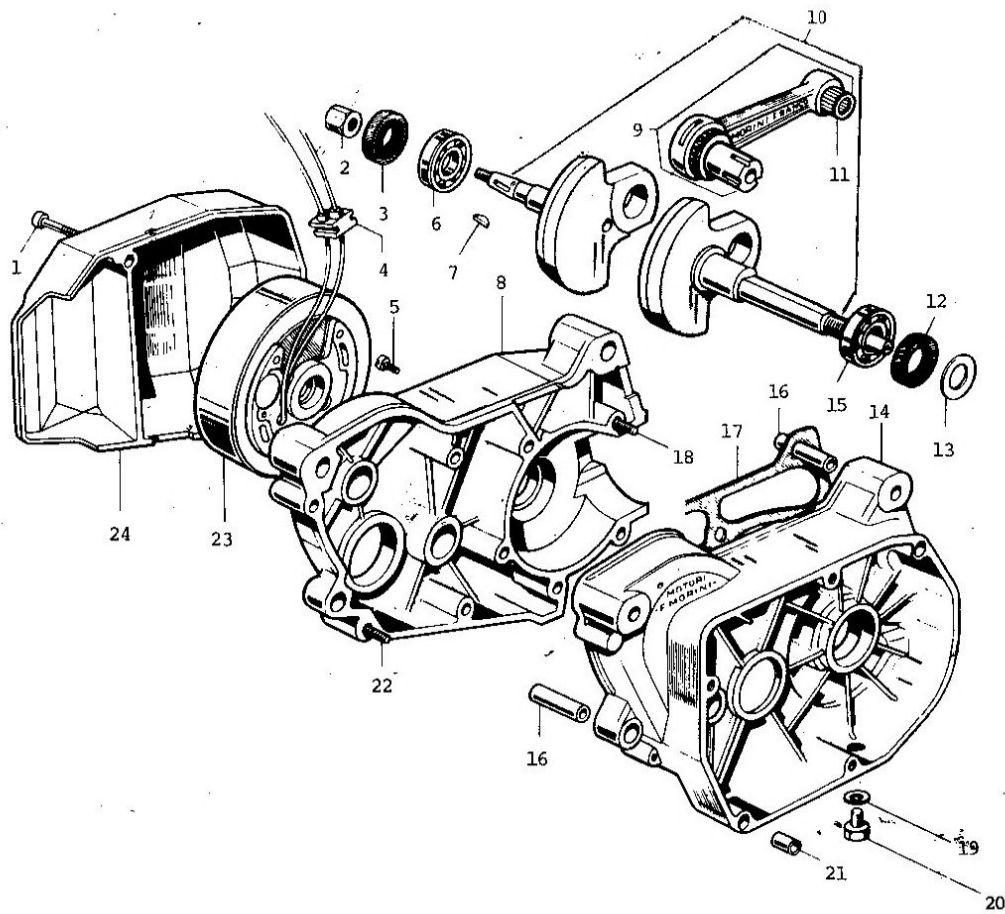


INDEX	PART NUMBER	QTY ASSY.	DESCRIPTION
1	Z291990	2	Allen Bolt
2	Z133007	1	Flywheel Nut
3	Z106001	1	Oil Seal
4	Z163011	1	Wire Guide
5	Z296022	2	Stator Plate Screw
6	Z126001	1	Crankshaft Support Bearing
7	Z127025	1	Flywheel Key
8	Z265017	1	Left Crankcase Half
9	Z110015	1	Connecting Rod
10	Z100046	1	Crankshaft Complete
11	Z161005	1	Piston Pin Bearing
12	Z106012	1	Oil Seal
13	Z254005	1	Spacer
14	Z265032	1	Right Crankcase Half
15	Z126007	1	Crankshaft Support Bearing
16	Z167005	2	Crankcase Dowel
17	Z164033	1	Crankcase Gasket
18	Z291989	8	Bolt
19	Z164008	2	Drain Plug Gasket
20	Z294132	2	Drain Bolt
21	Z167008	2	Cover Dowel

Crankcase, Crankshaft
("M02" Two Speed Engine)

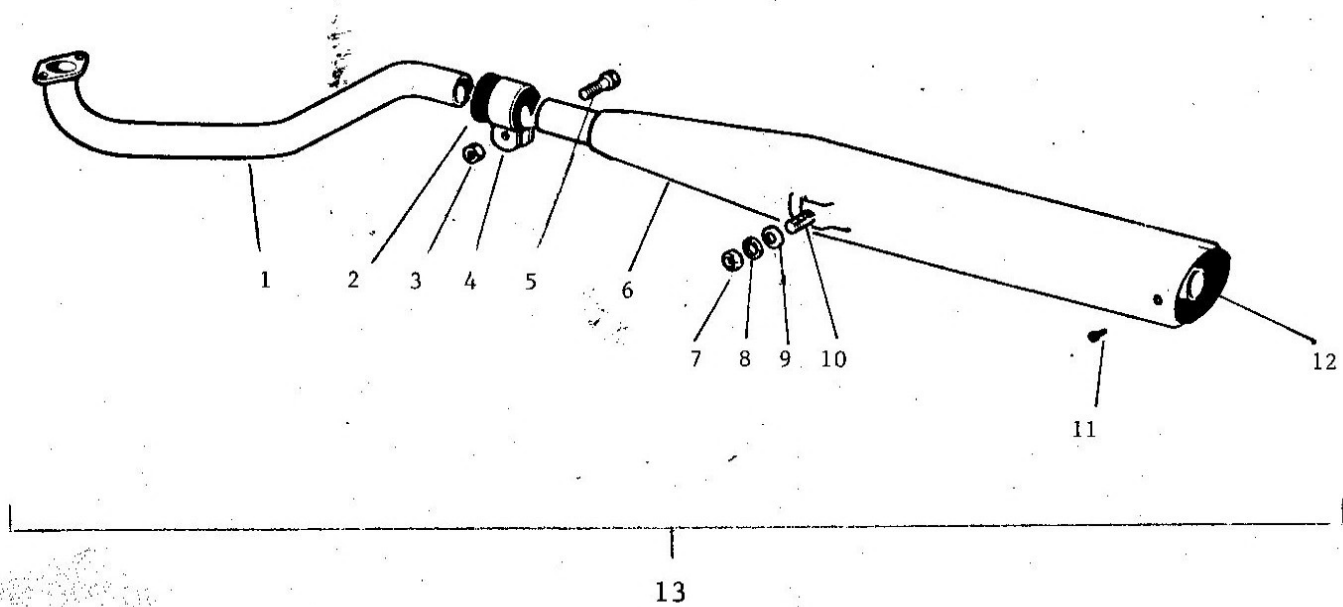
Fig. 4

PC (Sebring) 6



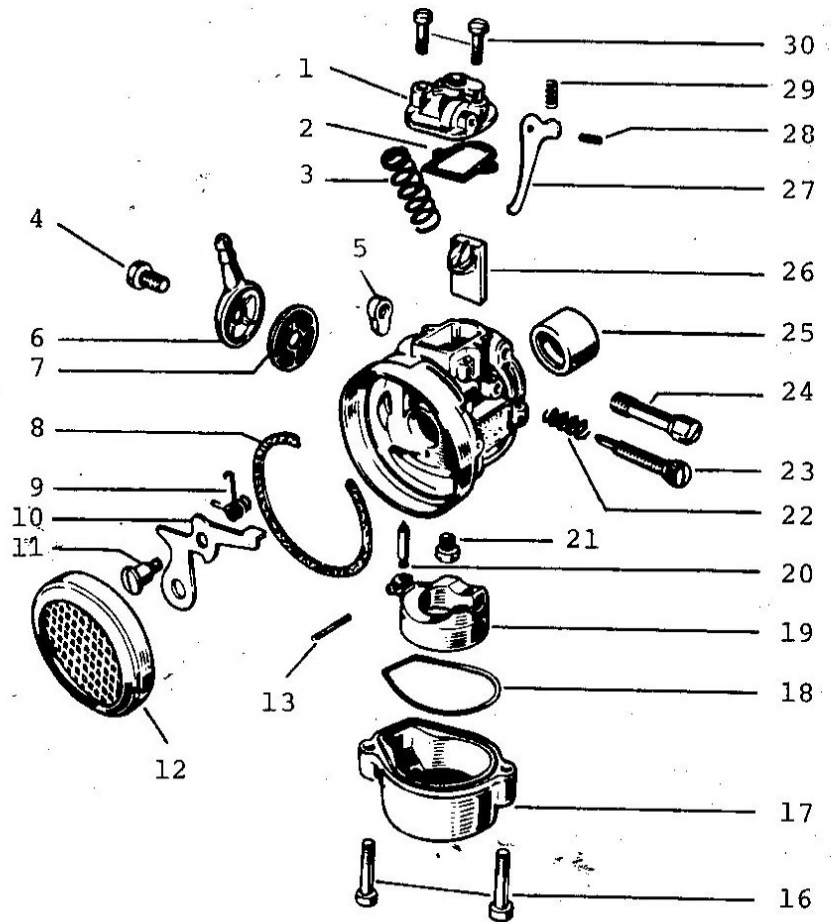
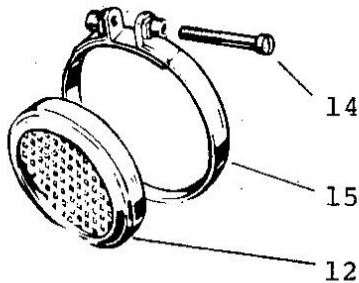
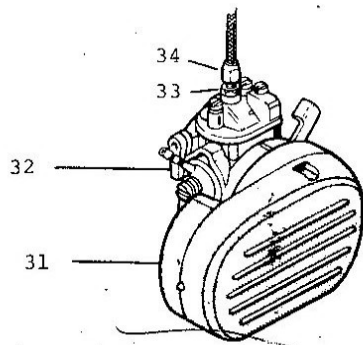
INDEX	PART NUMBER	QTY ASSY.	DESCRIPTION
22	Z291988	1	Bolt
23	Z290045	1	Magneto Complete (Dansi)
24	Z124074	1	Left Engine Cover
	Z260606	1	Engine Gasket Set (Not Illustrated)
	Z260508	1	Engine Oil Seal Set (Not Illustrated)

Crankcase, Crankshaft
 ("M02" Two Speed Engine - Cont'd.)
 Fig. 4



INDEX	PART NUMBER	QTY ASSY.	DESCRIPTION
1	J250	1	Exhaust Header Pipe
2	J251	1	Exhaust Seal
3	00010	1	Nut
4	J253	1	Exhaust Clamp
5	00679	1	Bolt
6	J49	1	Muffler Complete
7	14147	1	Nut
8	00137	1	Washer
9	60054	1	Washer
10	60474	1	Bolt
11	J47	1	Baffle Screw
12	J256	1	Muffler Baffle
13	J255	1	Exhaust Complete

Exhaust and
Attachments
Fig. 5



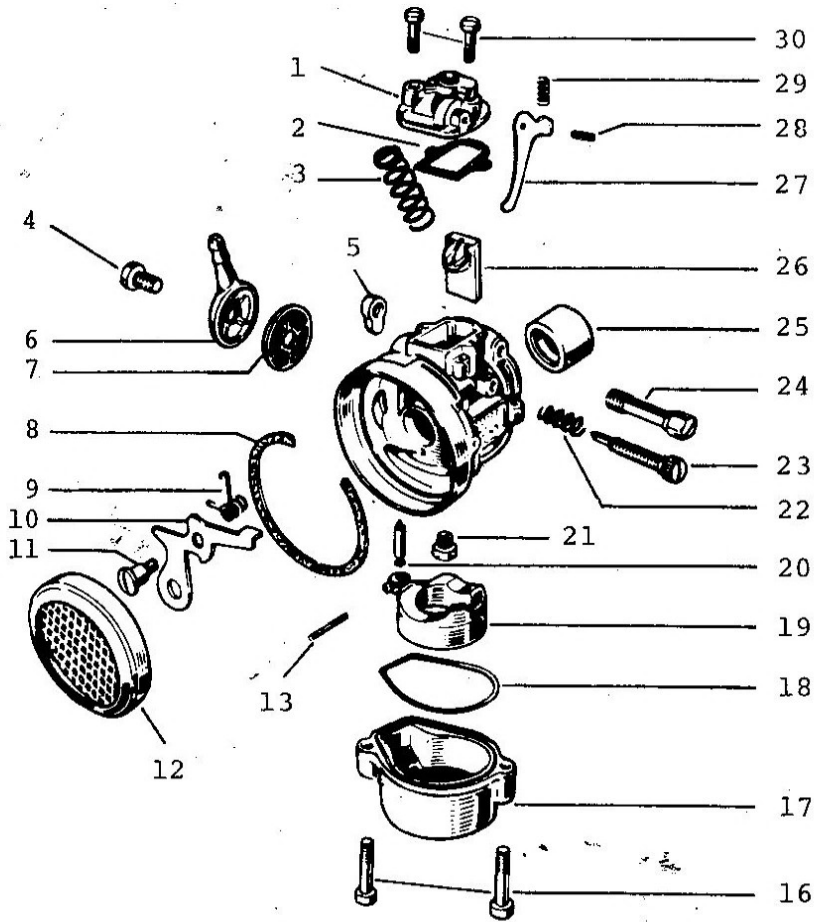
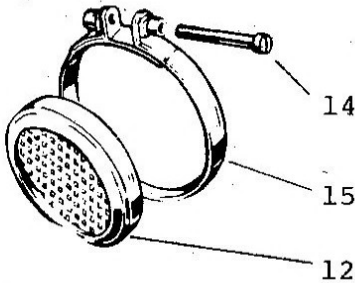
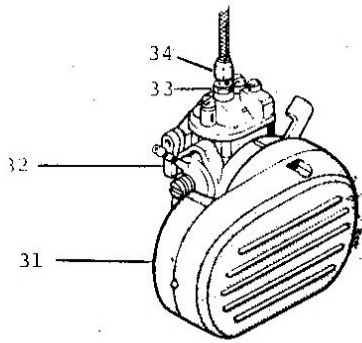
INDEX	PART NUMBER	QTY ASSY.	DESCRIPTION
1	Z611053	1	Cover
2	Z611130	1	Gasket
3	Z334661	1	Throttle Slide Spring
4	Z419036	1	Screw
5	Z742727	1	Nut
6	Z924938	1	Fuel Inlet
7	Z610929	1	Fuel Filter
8	Z615930	1	Air Filter Gasket
9	Z717961	1	Spring
10	Z611464	1	Choke Plate
11	Z541722	1	Screw
12	Z611786	1	Filter Element
13	Z877322	1	Float Hinge Pin
14	Z461736	1	Screw
15	Z461150	1	Clamp
16	Z359836	2	Screw
17	Z610796	1	Float Bowl
18	Z612330	1	Float Bowl Gasket
19	Z612280	1	Float
20	Z283805	1	Needle Valve
21	Z148602	1	Fuel Jet

Carburetor

MO - MO2

Fig. 6

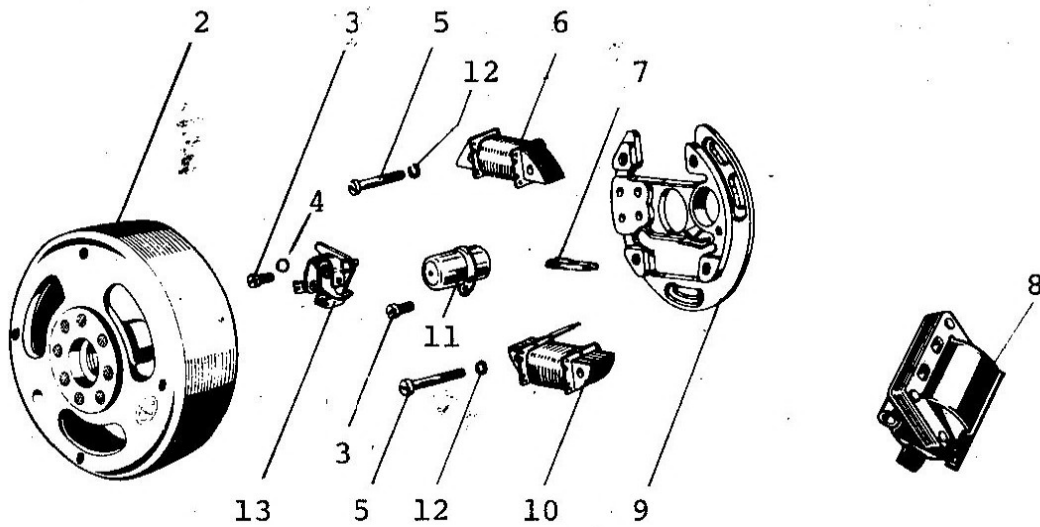
PC (Sebring) 9



INDEX	PART NUMBER	QTY ASSY.	DESCRIPTION
22	Z360661	1	Spring
23	Z614037	1	Idle Screw
24	Z630536	1	Screw
25	Z612462	1	Bushing
26	Z610864	1	Throttle Slide
27	Z611226	1	Choke Lever
28	Z611522	1	Choke Lever Pin
29	Z625961	1	Spring
30	Z331836	2	Screw
31	Z10236	1	Air Filter Assembly Complete
32	Z120012	1	Carburetor Complete
33	Z169127	1	Nut
34	Z110437	1	Cable Adjuster
	Z147606	1	Rubber Boot (Not Illustrated)

Carburetor
MO - MO2 (Cont'd.)
Fig. 6

PC (Sebring) 10

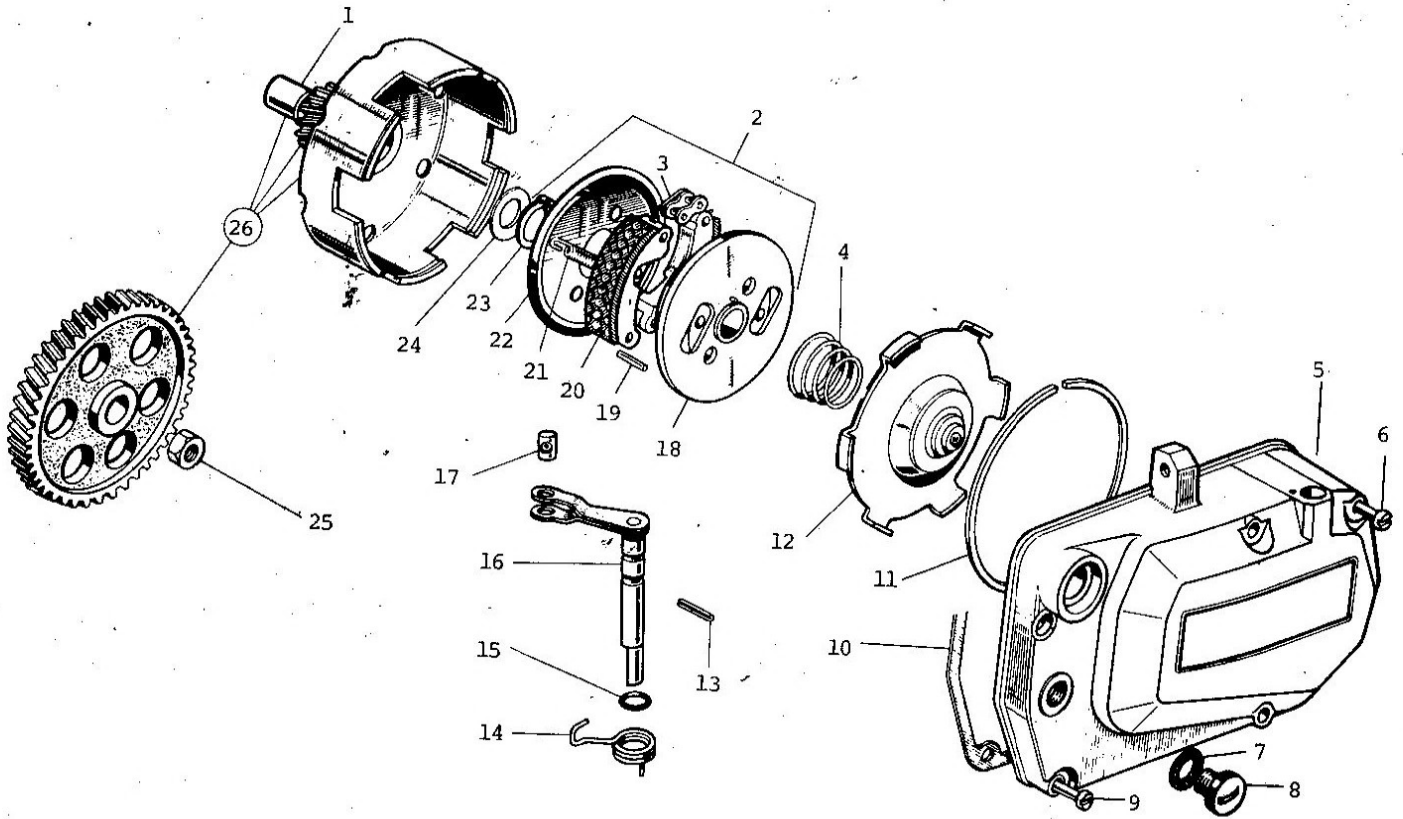


INDEX	PART NUMBER	QTY ASSY.	DESCRIPTION
1	Z290045	1	Flywheel Magneto Complete (Dansi)
2	Z1017651	1	Rotor
3	Z10176511	2	Screw
4	Z10176512	1	Washer
5	Z10176515	4	Screw
6	Z10176518	1	Ignition Coil
7	Z1017655	1	Felt Lubricator
8	Z118007	1	H.T. Coil
9	Z1017652	1	Stator Plate Stripped
10	Z1017654	1	Lighting Coil
11	Z10176510	1	Condensor
12	Z10176514	4	Lock Washers
13	Z1017656	1	Ignition Points
	Z1017652B	1	Stator Plate Complete (Not Illustrated)

Dansi Magneto 6V

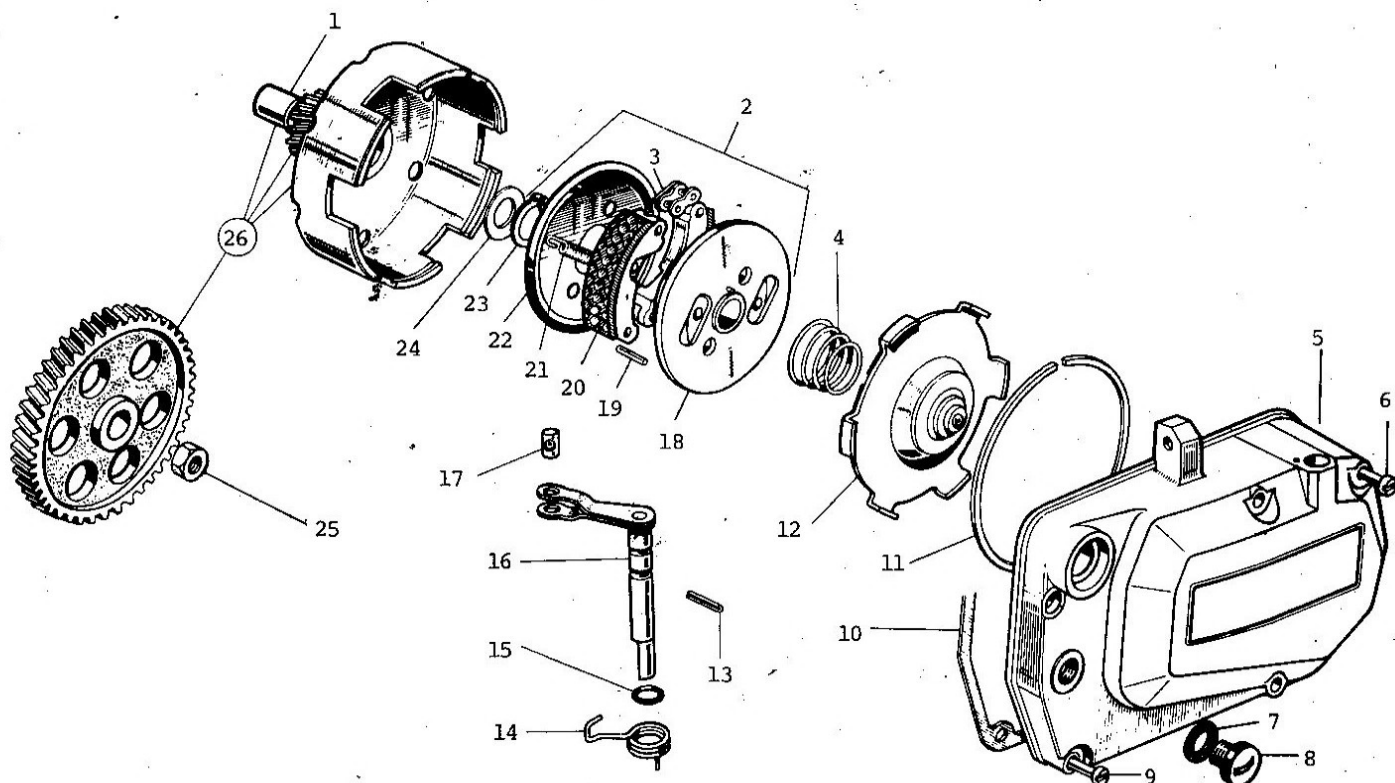
Fig. 7

PC (Sebring) 11



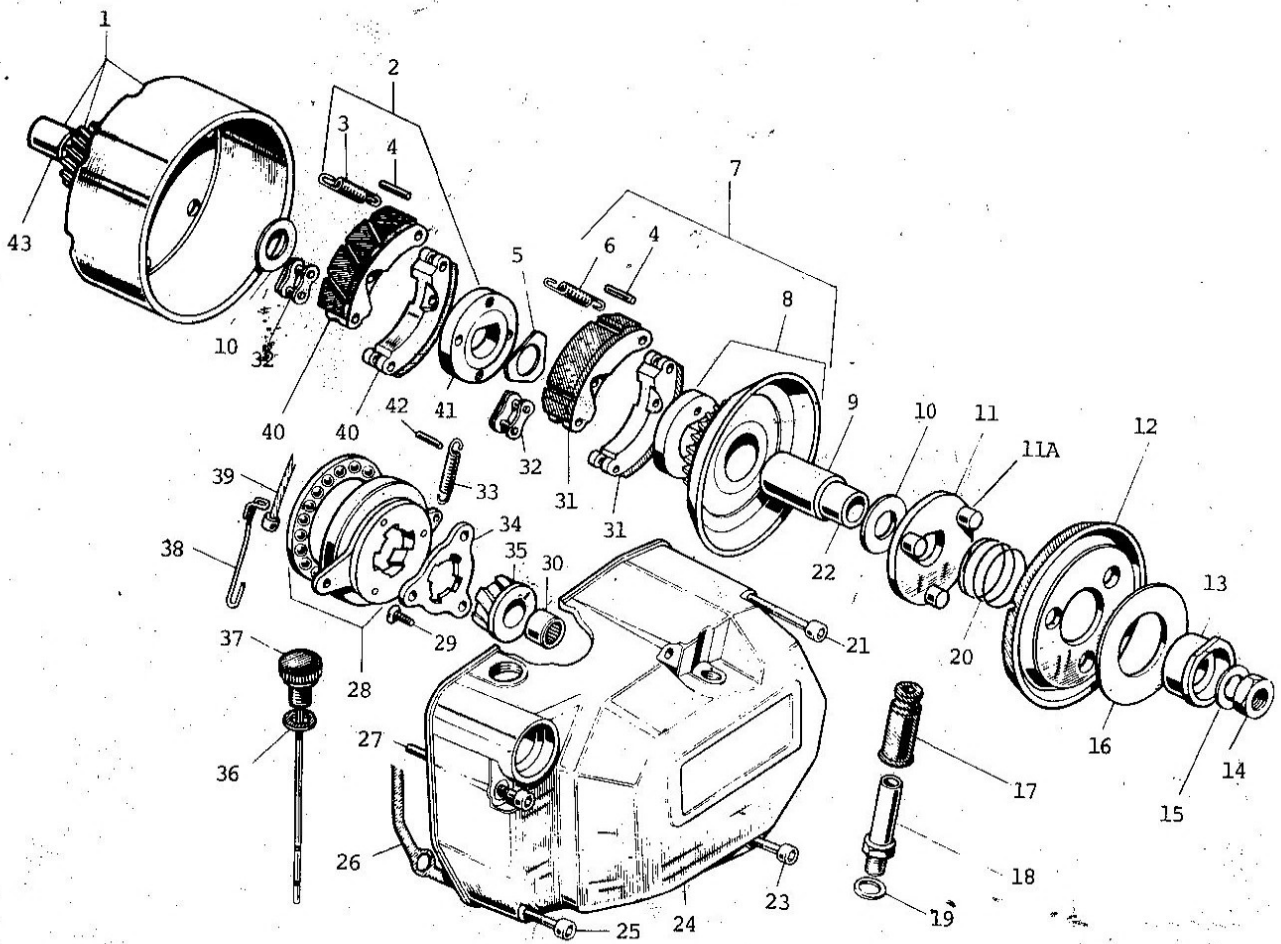
INDEX	PART NUMBER	QTY ASSY.	DESCRIPTION
1	Z115010	1	Bushing
2	Z200012	1	Clutch Assembly Complete
3	Z127021	2	Clutch Link
4	Z201019	1	Spring
5	Z124075	1	Right Engine Cover
6	Z291990	5	Allen Bolt
7	Z164026	1	Gasket
8	Z273007	1	Oil Cap
9	Z291986	2	Allen Bolt
10	Z164034	1	Gasket
11	Z104006	1	Lock Ring
12	Z127022	1	Starting Clutch Plate
13	Z268014	1	Clutch Lever Pin
14	Z201018	1	Lever Return Spring
15	Z107002	1	"O" Ring
16	Z190004	1	Clutch Lever
17	Z214002	1	Cable End
18	Z200003	1	Clutch Plate
19	Z257002	4	Clutch Shoe Pin
20	Z127020	2	Clutch Shoe
21	Z201033	2	Clutch Spring

Clutch
"M0"
Fig. 8
PC (Sebring) 12



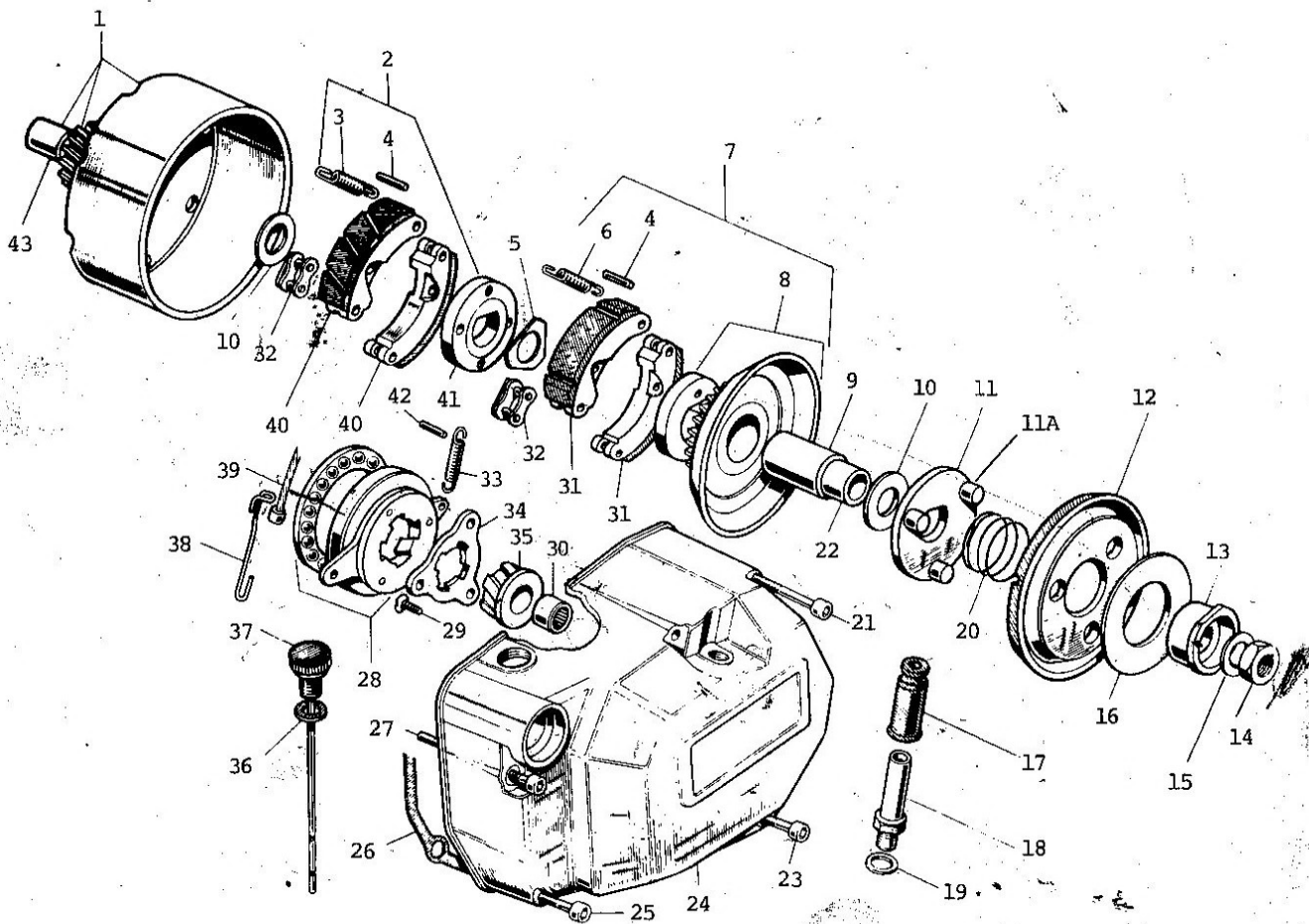
INDEX	PART NUMBER	QTY ASSY.	DESCRIPTION
22	Z135031	1	Clutch Brake Plate
23	Z105009	1	Snap Ring
24	Z254005	2	Spacer
25	Z131003	1	Nut
26	Z270005	1	Clutch Drum Assembly Complete

Clutch
 "MO" - Cont'd.
 Fig. 8
 PC (Sebring) 13



INDEX	PART NUMBER	QTY ASSY.	DESCRIPTION
1	Z180001	1	Clutch Drum Assembly Complete
2	Z200007	1	First Speed Clutch Complete
3	Z201033	2	Spring
4	Z257002	8	Clutch Shoe Pin
5	Z254030	1	Clutch Spacer
6	Z201017	2	Clutch Shoe Spring
7	Z160002	1	Second Speed Clutch Complete
8	Z160001	1	Second Speed Transmission Plate
9	Z115013	1	Transmission Bushing
10	Z254005	3	Spacer
11	Z135015	1	Starting Clutch Disc
11A	Z163024	3	Teflon Bushings
12	Z130001	1	Starting Clutch Lining Plate
13	Z271004	1	Spacer
14	Z131002	1	Clutch Nut
15	Z254002	1	Washer
16	Z254028	1	Spacer
17	Z147606	1	Rubber Boot
18	Z136036	1	Clutch Cable Sleeve
19	Z164101	1	Washer
20	Z201016	1	Starting Clutch Spring

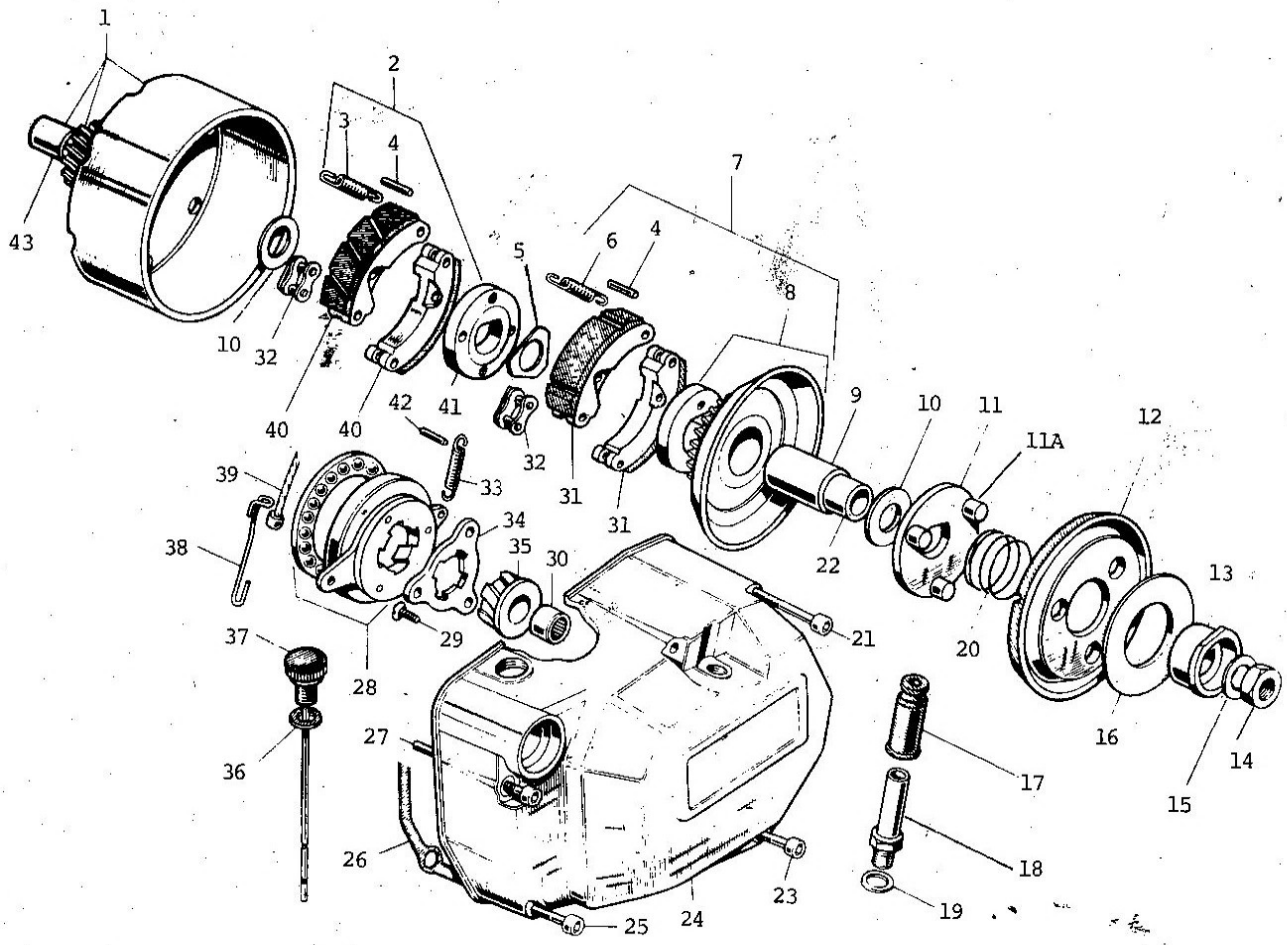
Clutch
MO 2
Fig. 9
PC (Sebring) 14



INDEX	PART NUMBER	QTY ASSY.	DESCRIPTION
21	Z291995	1	Allen Bolt
22	Z115016	1	Bushing
23	Z291994	3	Allen Bolts
24	Z124034	1	Right Engine Cover
25	Z291991	1	Allen Bolt
26	Z164034	1	Gasket
27	Z291990	2	Allen Bolt
28	Z160003	1	Starting Clutch Engagement Group
29	Z296025	3	Screw
30	Z161008	1	Bearing
31	Z127014	2	Second Speed Clutch Shoe
32	Z127021	4	Clutch Link
33	Z201036	1	Spring
34	Z237026	1	Clutch Dog Plate
35	Z231027	1	Clutch Dog
36	Z164026	1	Gasket
37	Z270009	1	Oil Dipstick
38	Z167010	1	Clutch Cable Hook
39	Z127061	1	Clutch Cable
40	Z127012	2	First Speed Clutch Shoe
41	Z206004	1	Clutch Spacer

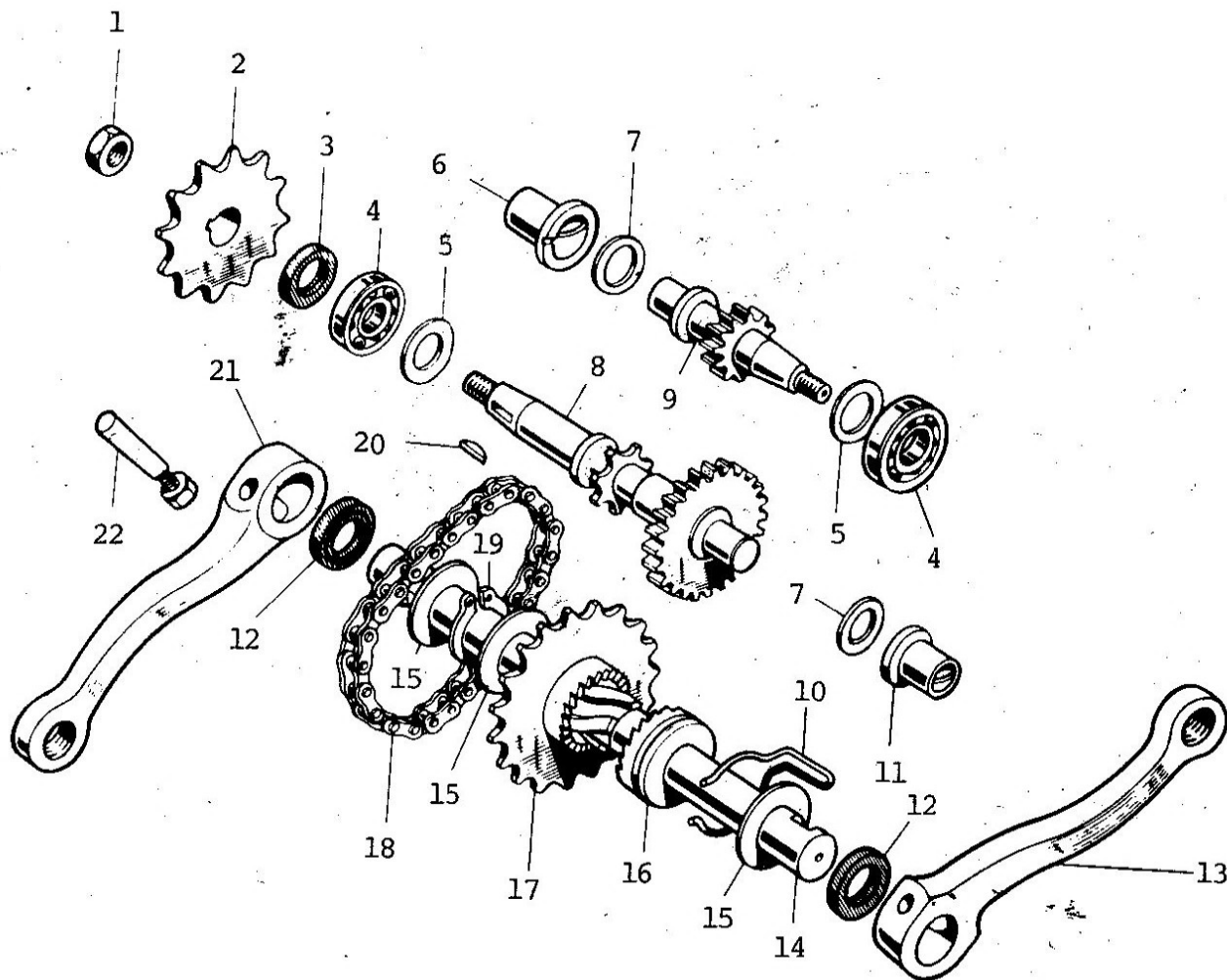
Clutch
M02 - Cont'd.
Fig. 9

PC (Sebring) 15



INDEX	PART NUMBER	QTY ASSY.	DESCRIPTION
42	Z268038	1	Pin
43	Z115007	1	Bushing

Clutch
 M02 - Cont'd.
 Fig. 9
 PC (Sebring) 16

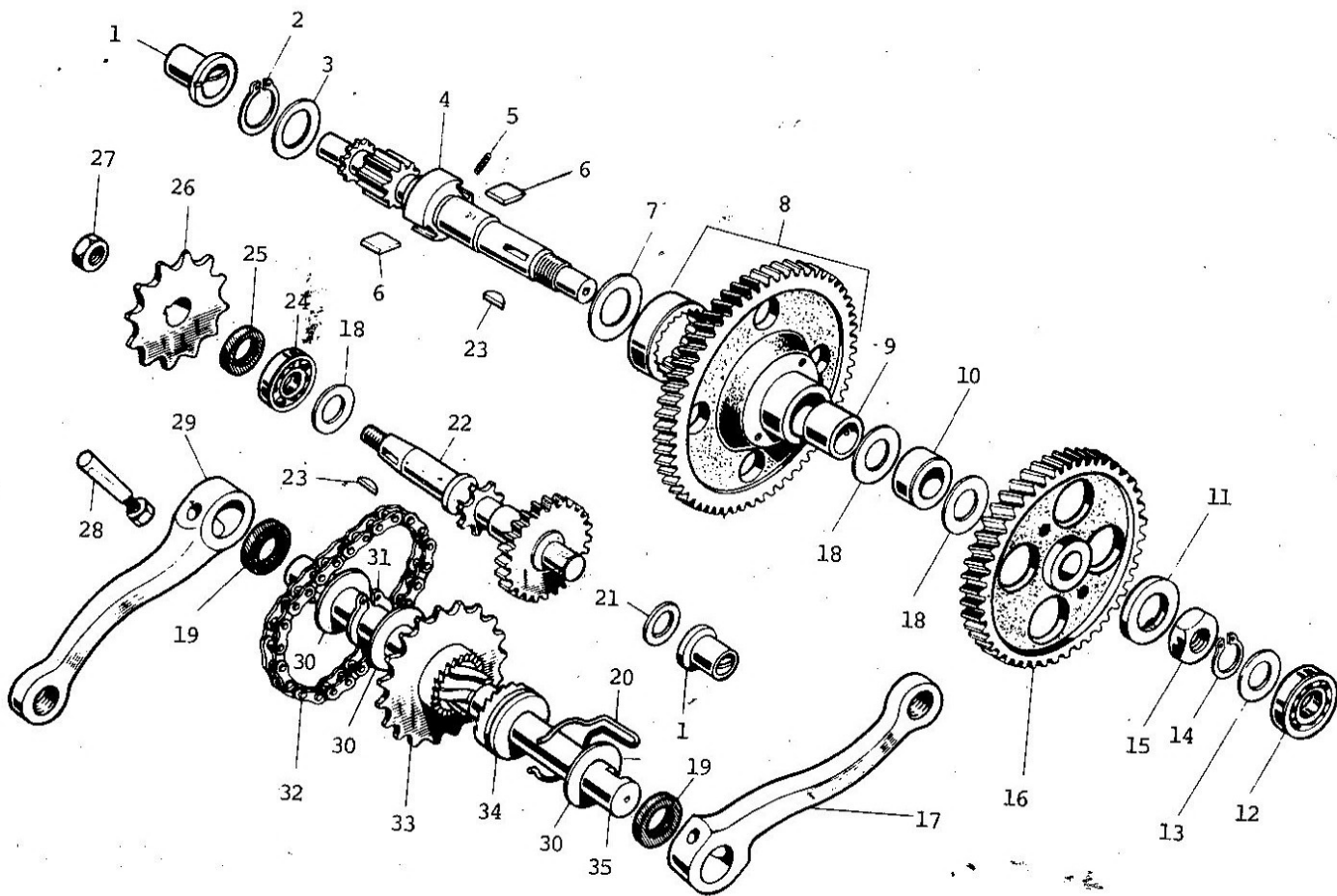


INDEX	PART NUMBER	QTY ASSY.	DESCRIPTION
1	Z131002	1	Nut
2	Z232506	1	Pinion Gear (12 Tooth)
3	Z106008	1	Oil Seal
4	Z126002	2	Bearing
5	Z254005	2	Spacer
6	Z115002	1	Bushing
7	Z254040	2	Spacer
8	Z101076	1	Pinion Gear Shaft
9	Z101028	1	Driven Gear Shaft
10	Z201015	1	Spring
11	Z115002	1	Bushing
12	Z106004	2	Oil Seal
13	J44	1	R.H. Pedal Arm
14	Z101020	1	Pedal Shaft
15	Z254007	3	Spacer
16	Z206001	1	Coupling Claw
17	Z232543	1	Drive Gear
18	Z127016	1	Starting Chain
19	Z105005	1	Circlip
20	Z127002	1	Pinion Gear Key
21	J50	1	L.H. Pedal Arm
22	J43	2	Pedal Pin Complete

Transmission "M0"

Fig. 10

PC (Sebring) 17



INDEX	PART NUMBER	QTY	DESCRIPTION
		ASSY.	
1	Z115002	2	Bushing
2	Z105009	1	Circlip
3	Z254043	1	Spacer
4	Z101036	1	Driven Gear Shaft
5	Z201037	2	Spring
6	Z268035	2	Retainer
7	Z254041	1	Spacer
8	Z120025	1	First Gear Assembly
9	Z115017	1	Bushing
10	Z136012	1	Spacer
11	Z254010	1	Washer
12	Z126003	1	Bearing
13	Z254026	2	Spacer
14	Z105006	1	Circlip
15	Z133017	1	Nut
16	Z127029	1	2nd Gear
17	J44	1	R.H. Pedal Arm
18	Z254005	3	Spacer
19	Z106004	2	Oil Seal
20	Z201015	1	Spring
21	Z254040	1	Spacer

Transmission
MO2
Fig. 11
PC (Sebring) 18